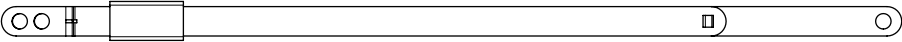






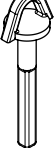
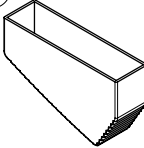



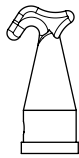

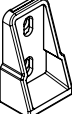
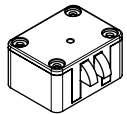



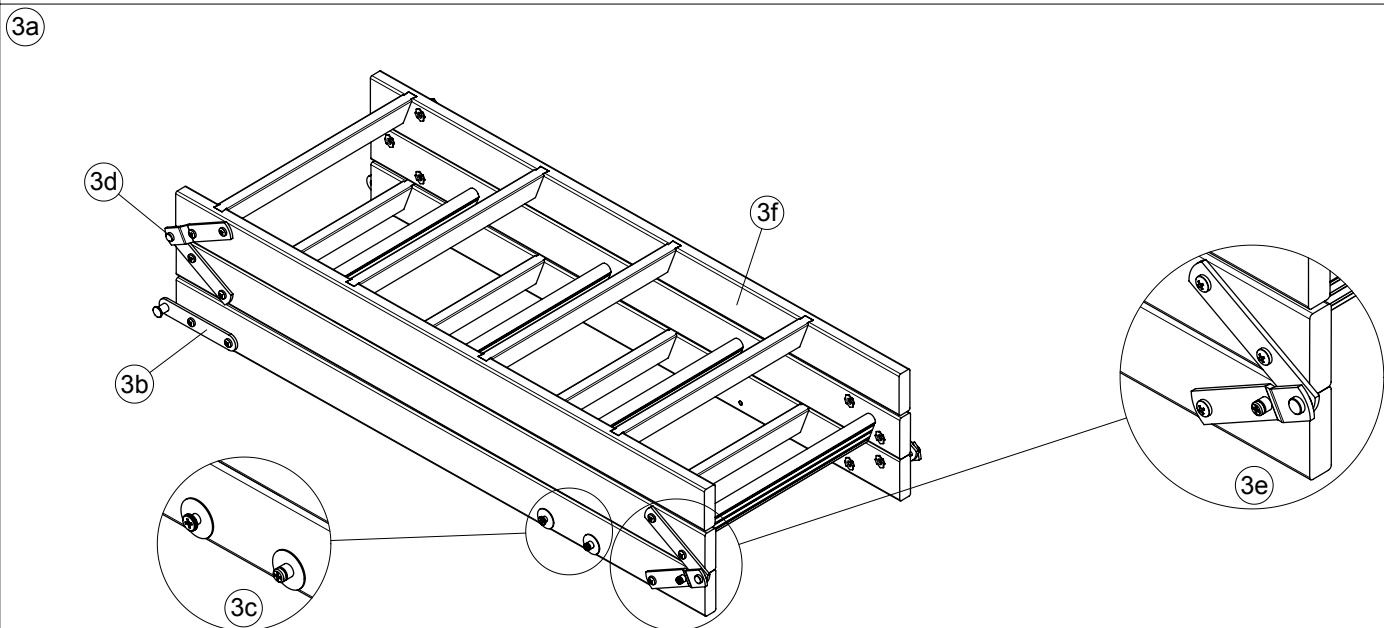
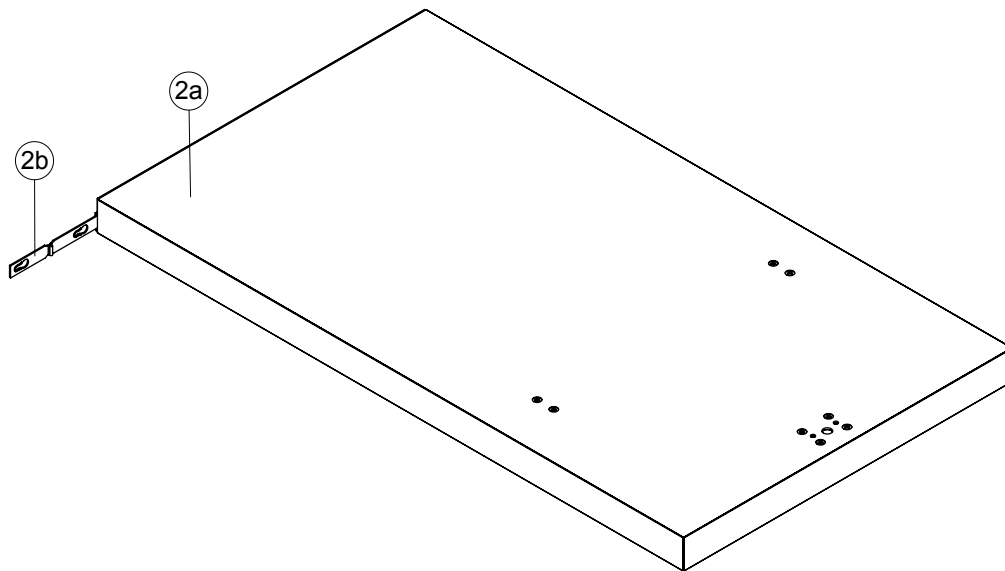
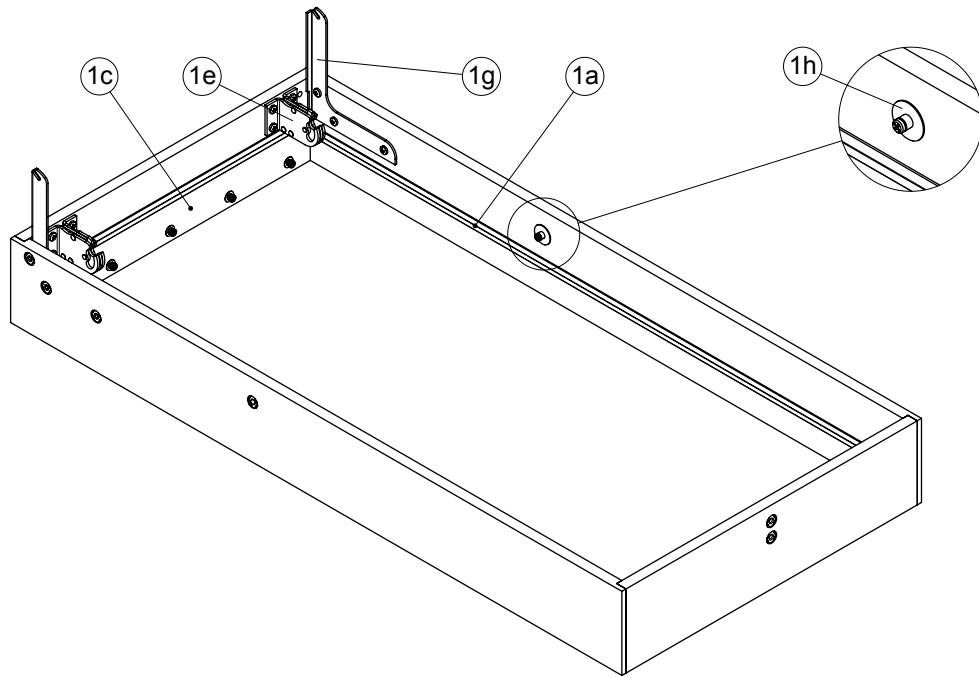
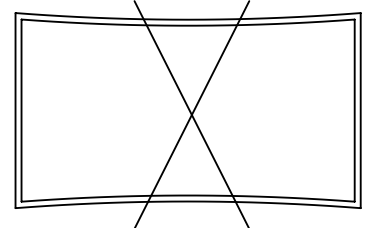
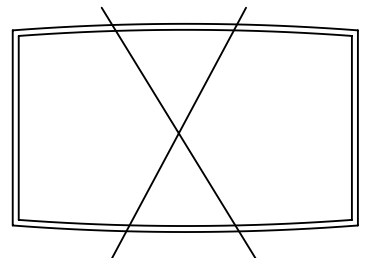
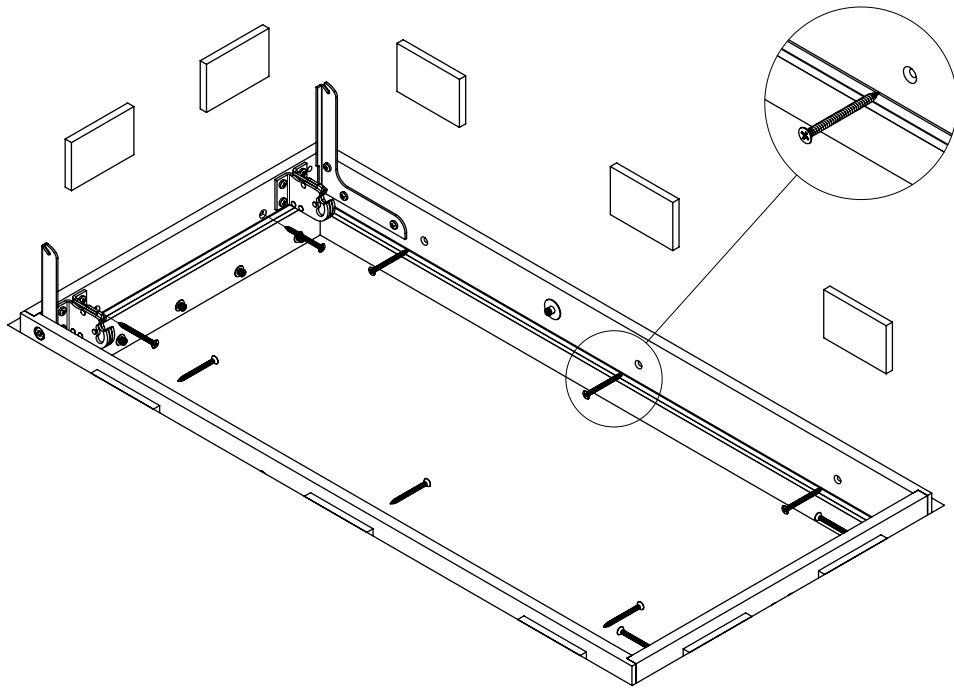
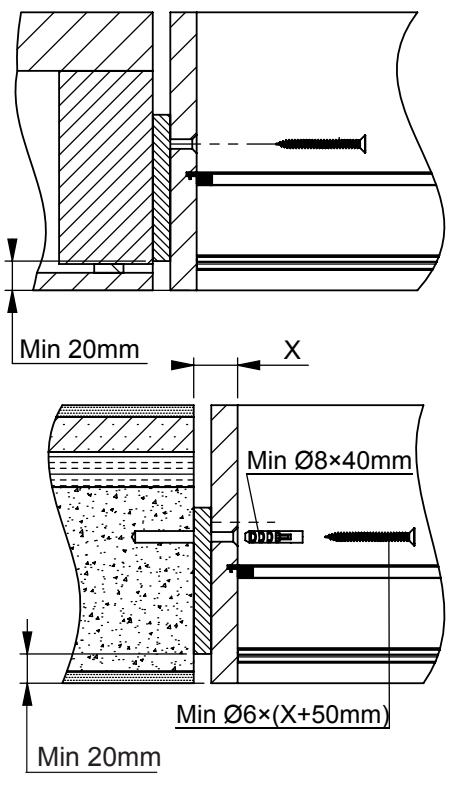
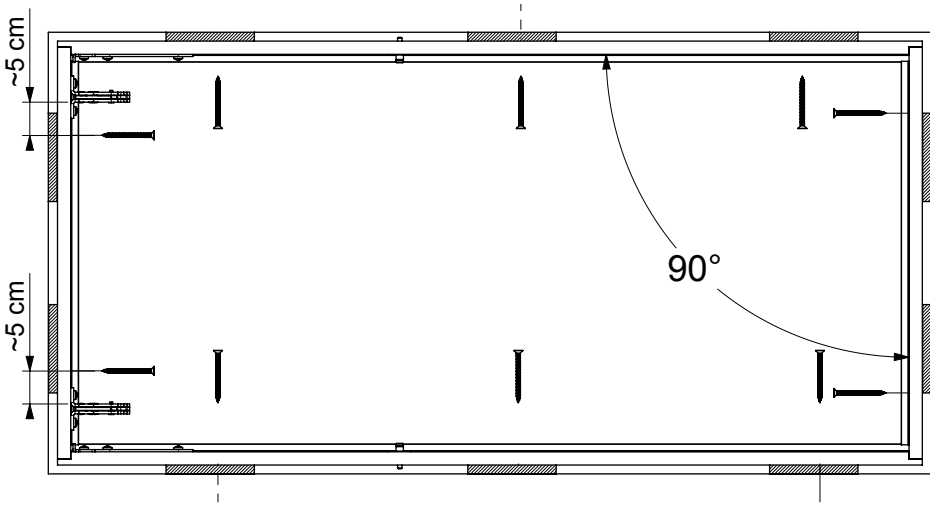




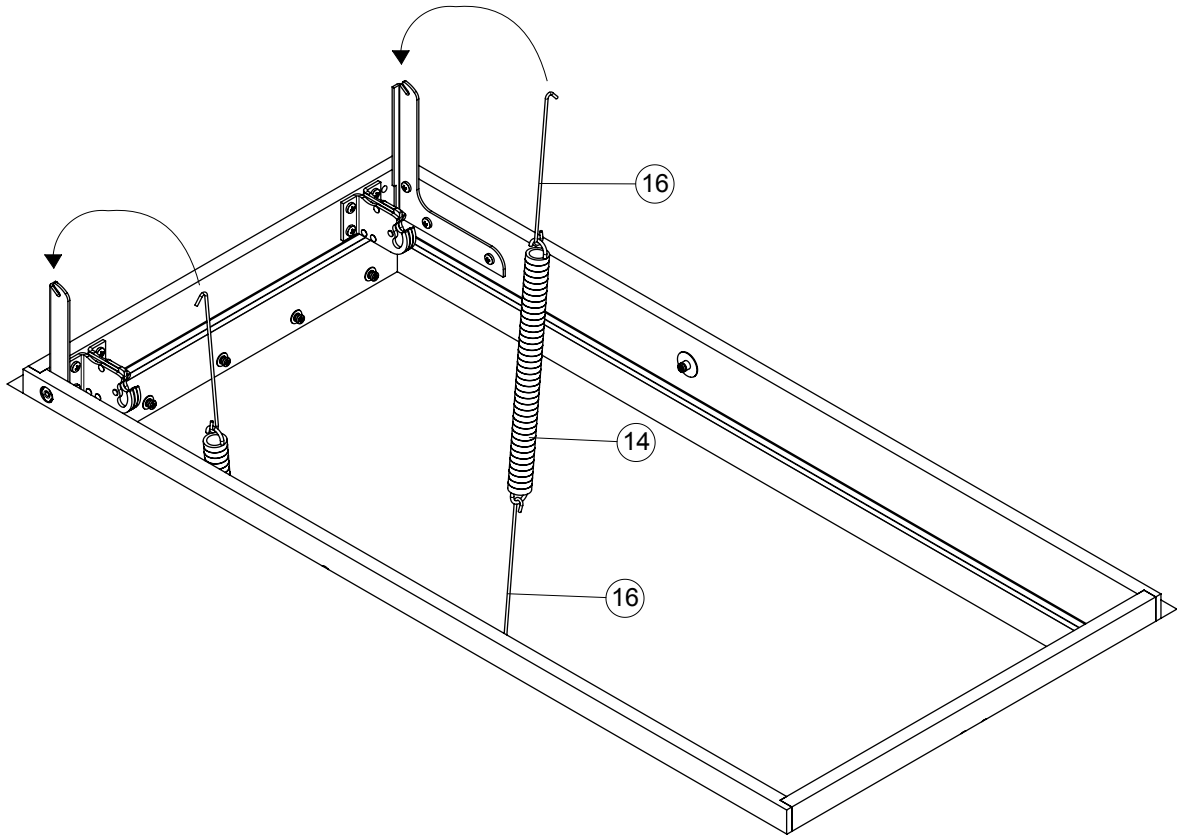
⑩					⑮	
						
× 2						
⑭			⑯			
						
× 2			× 4		× 2	
⑱	⑲	⑳	㉑	㉒	㉓	㉔
						
× 1	× 1	× 1	× 1	× 2	× 2 Ø4×20	× 6
⑳	㉙	㉚				
						
× 1 Ø4×25	× 1	× 1				
㉛	㉜	㉝	㉞	㉟		
						
× 1	× 1	× 4 M5×50	× 2 M6×20	× 4 M5×20		



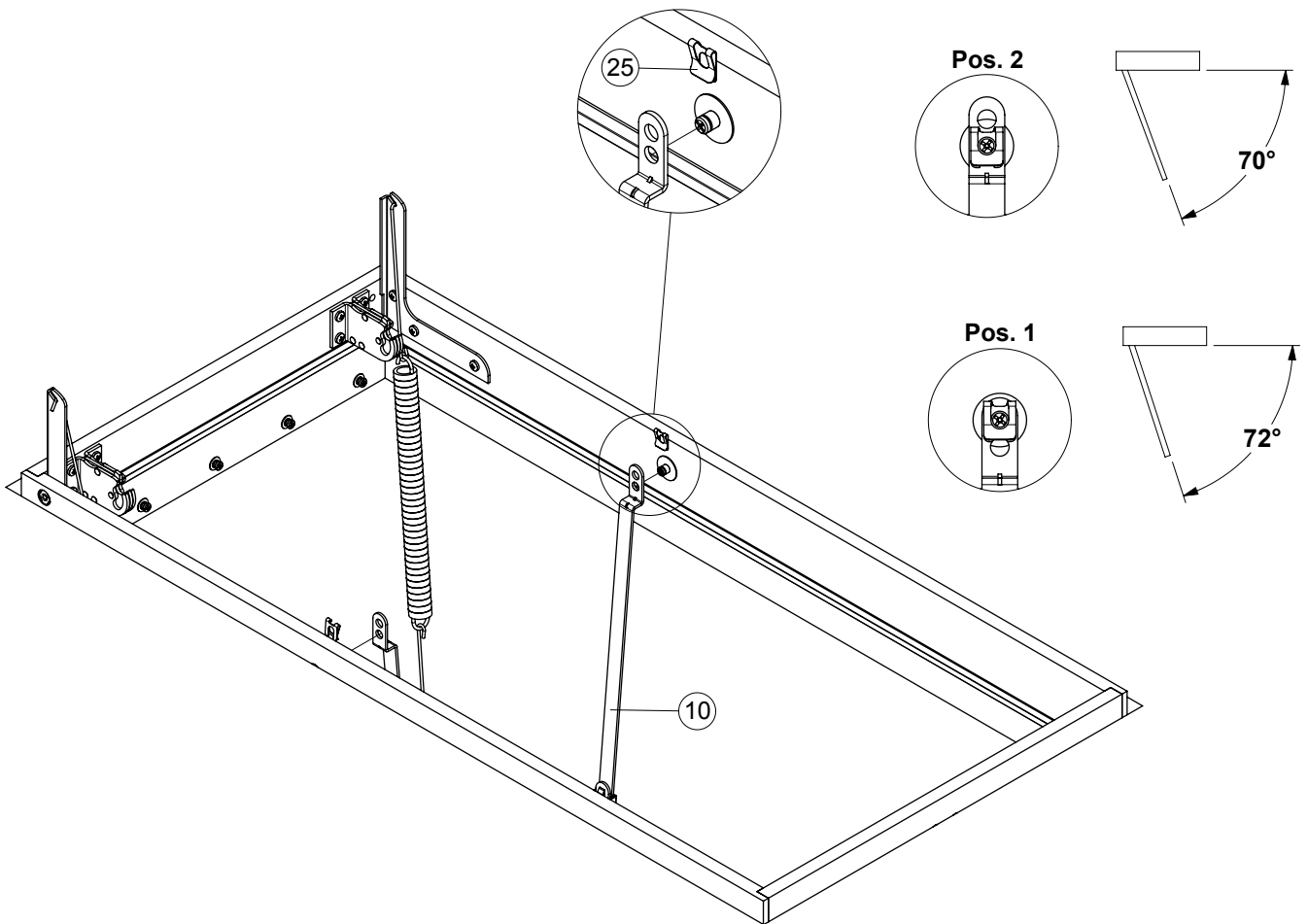
1



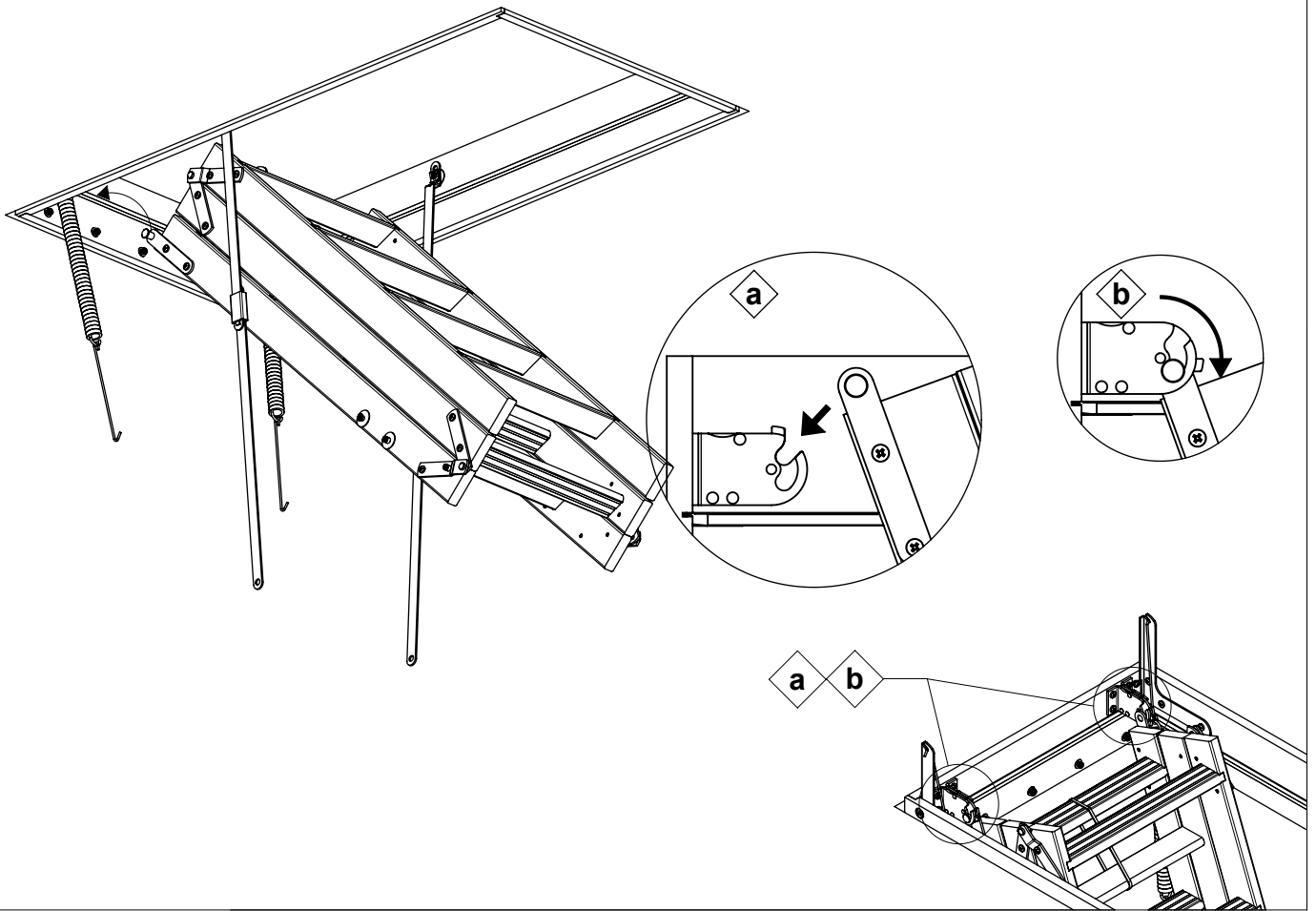
2



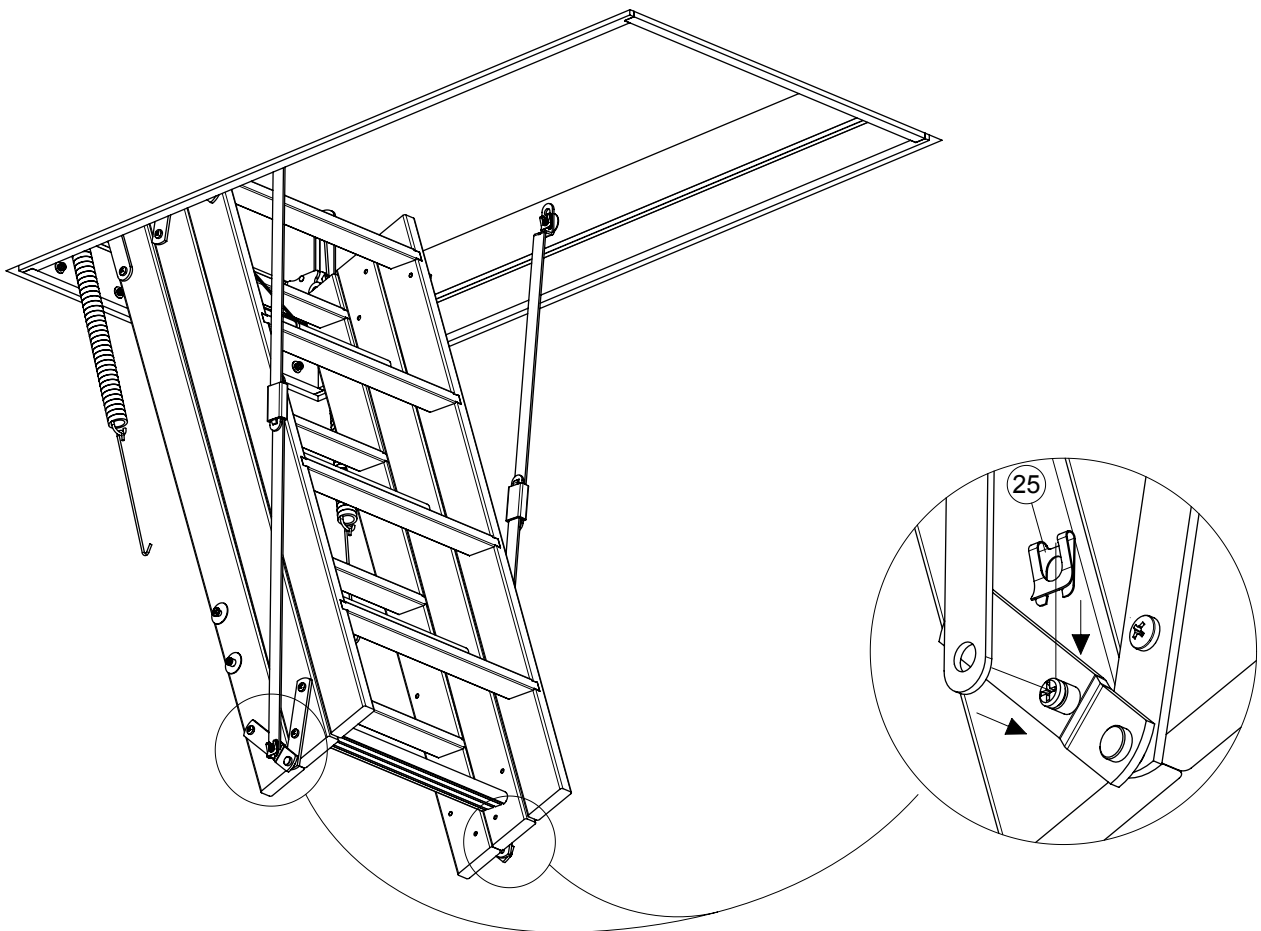
3



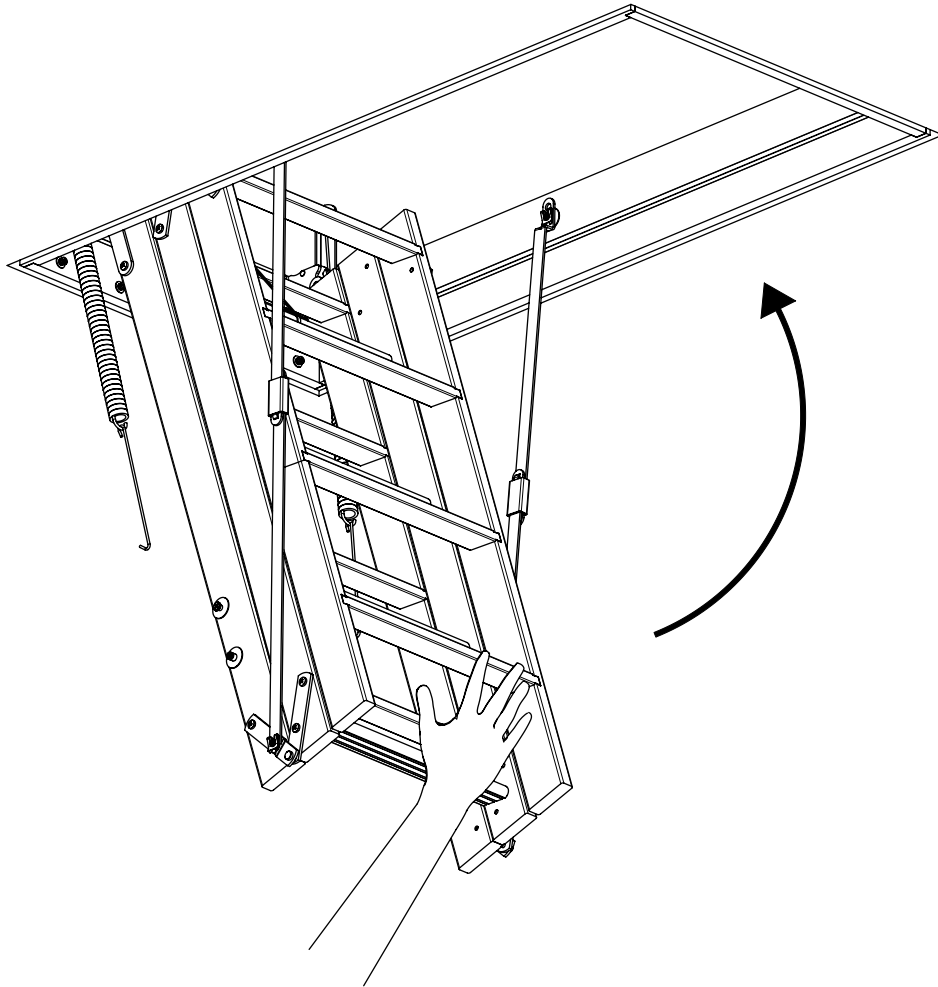
4



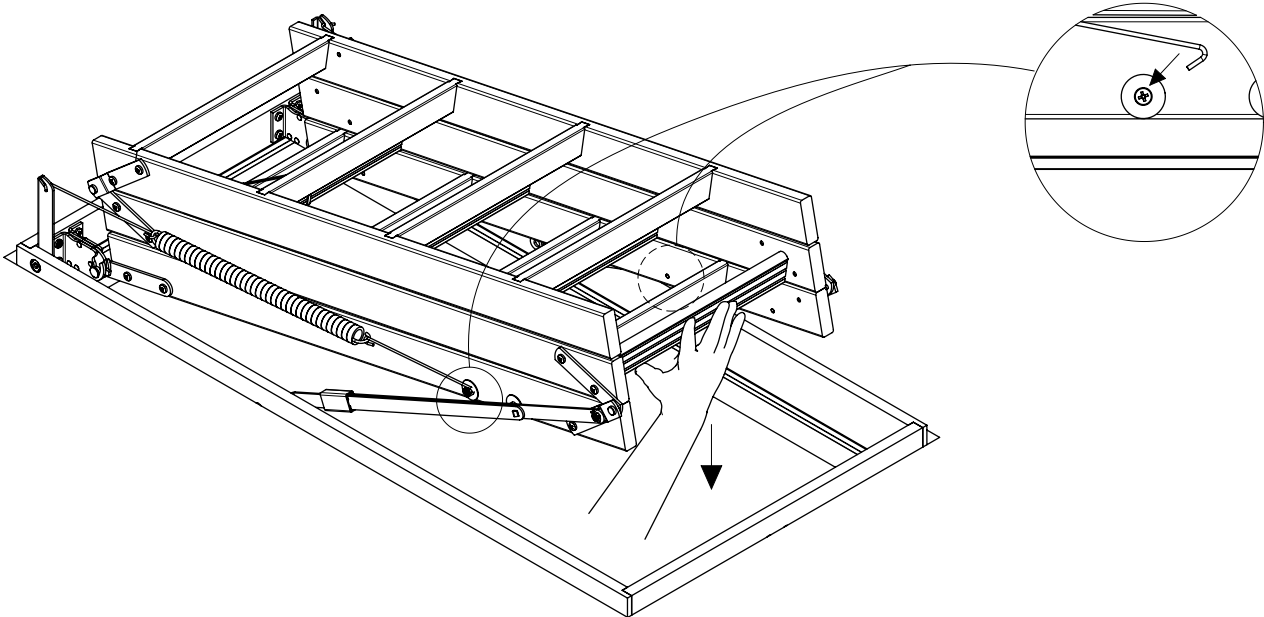
5

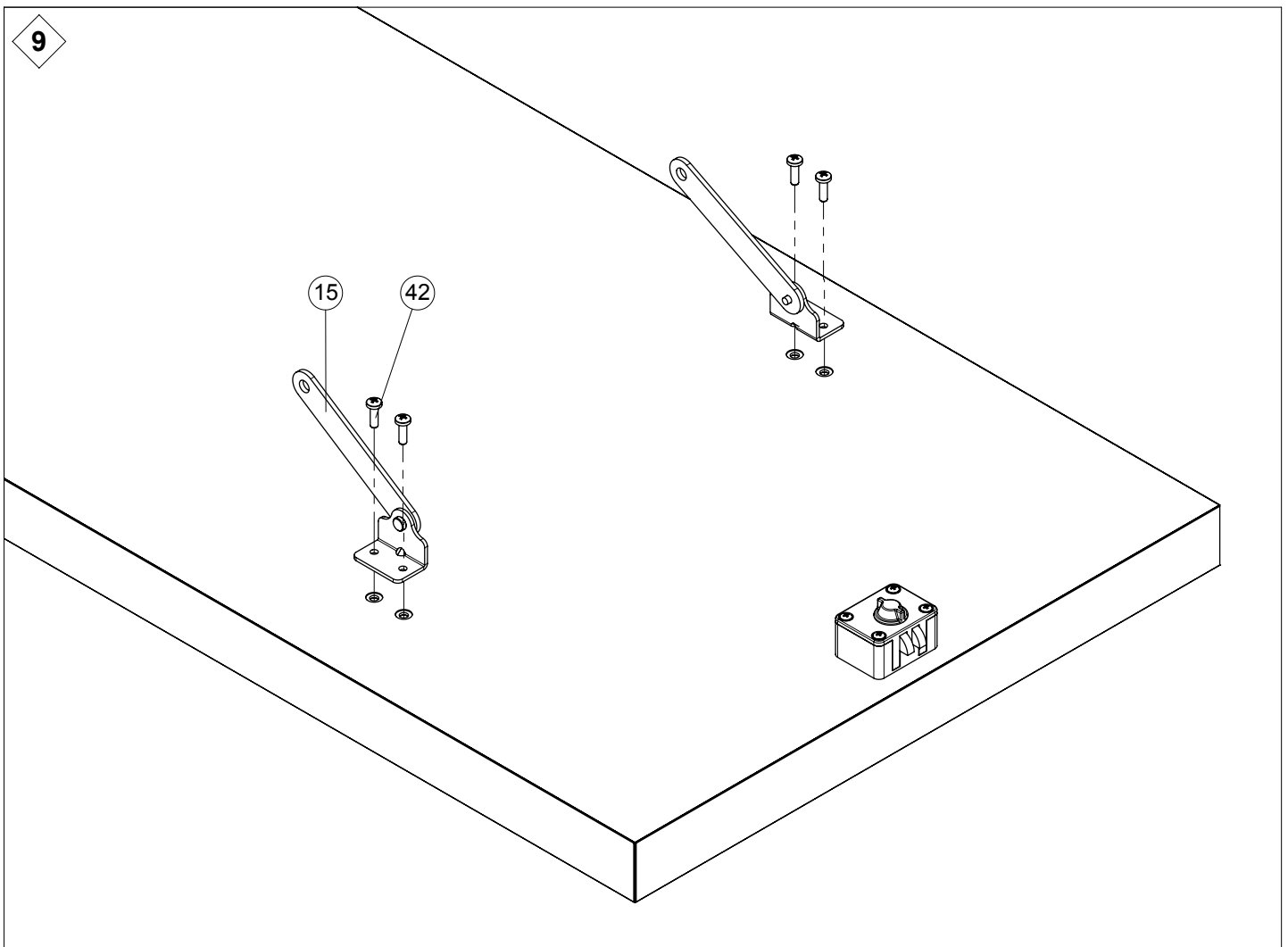
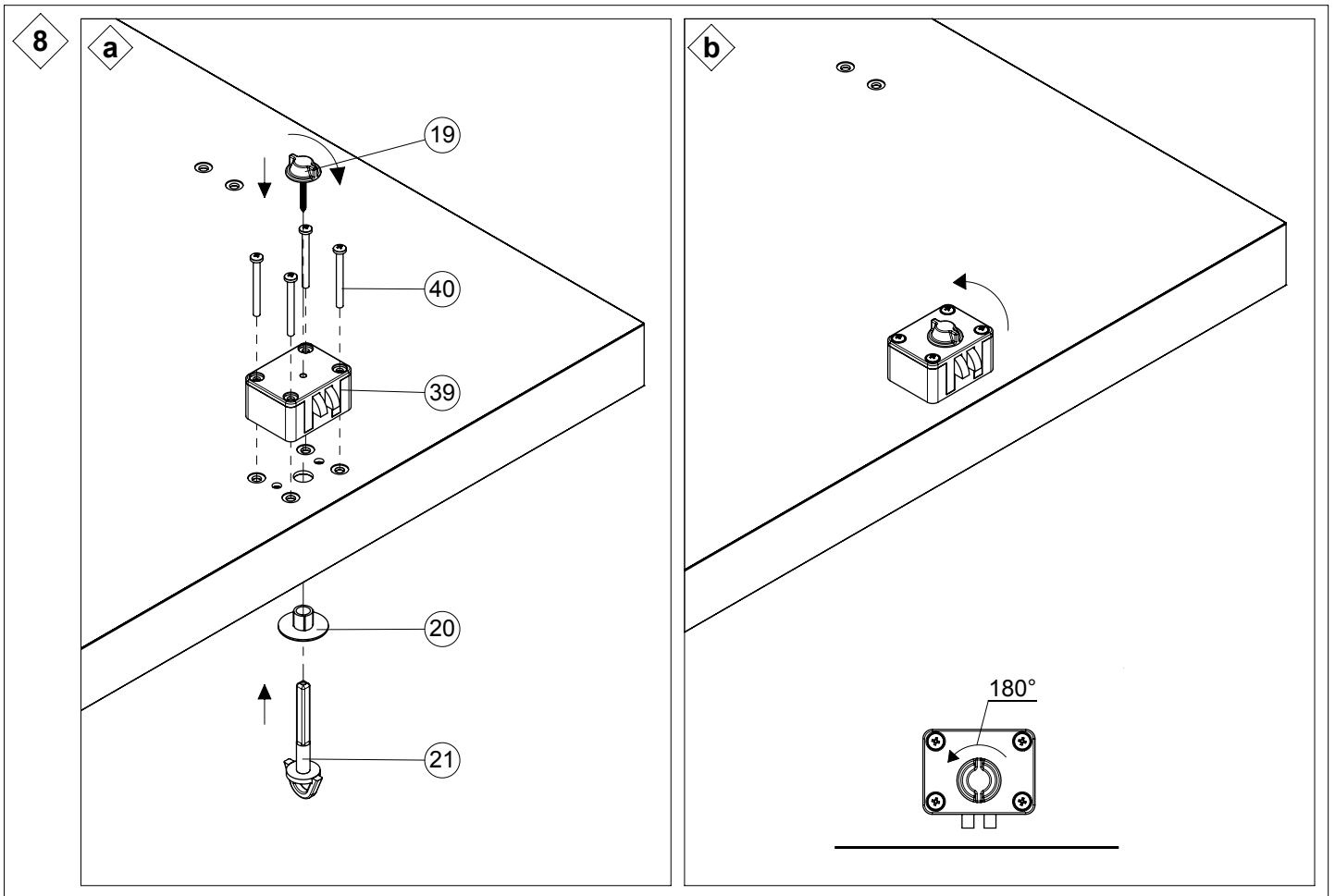


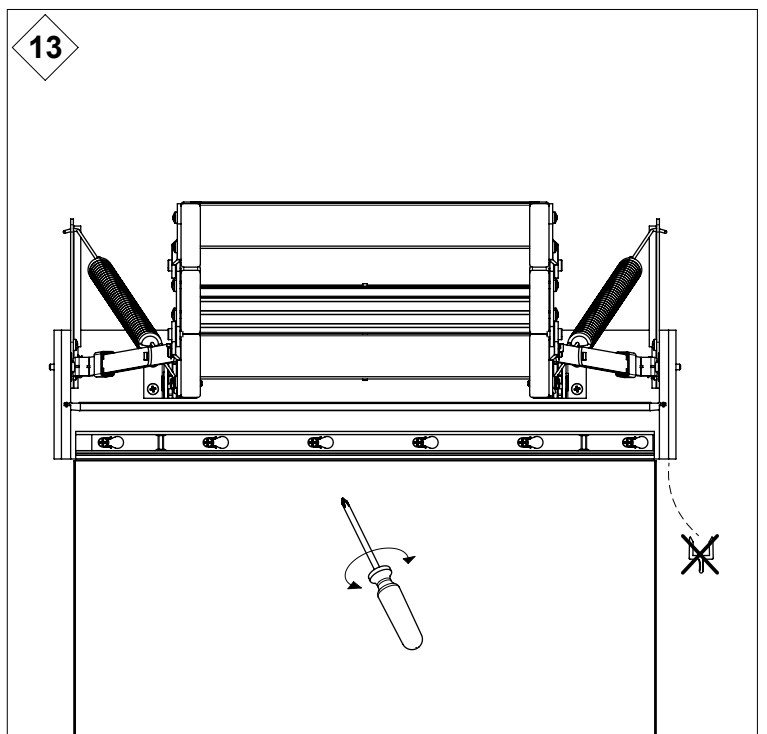
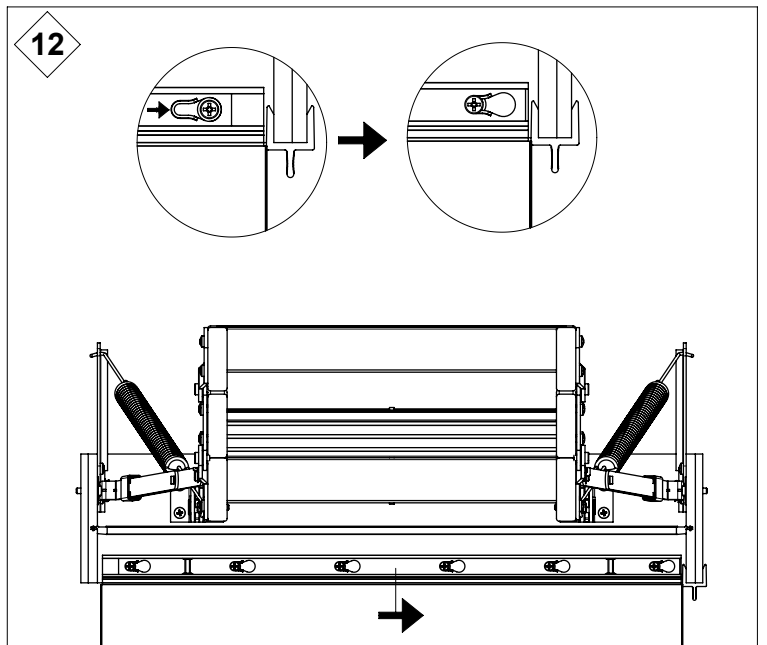
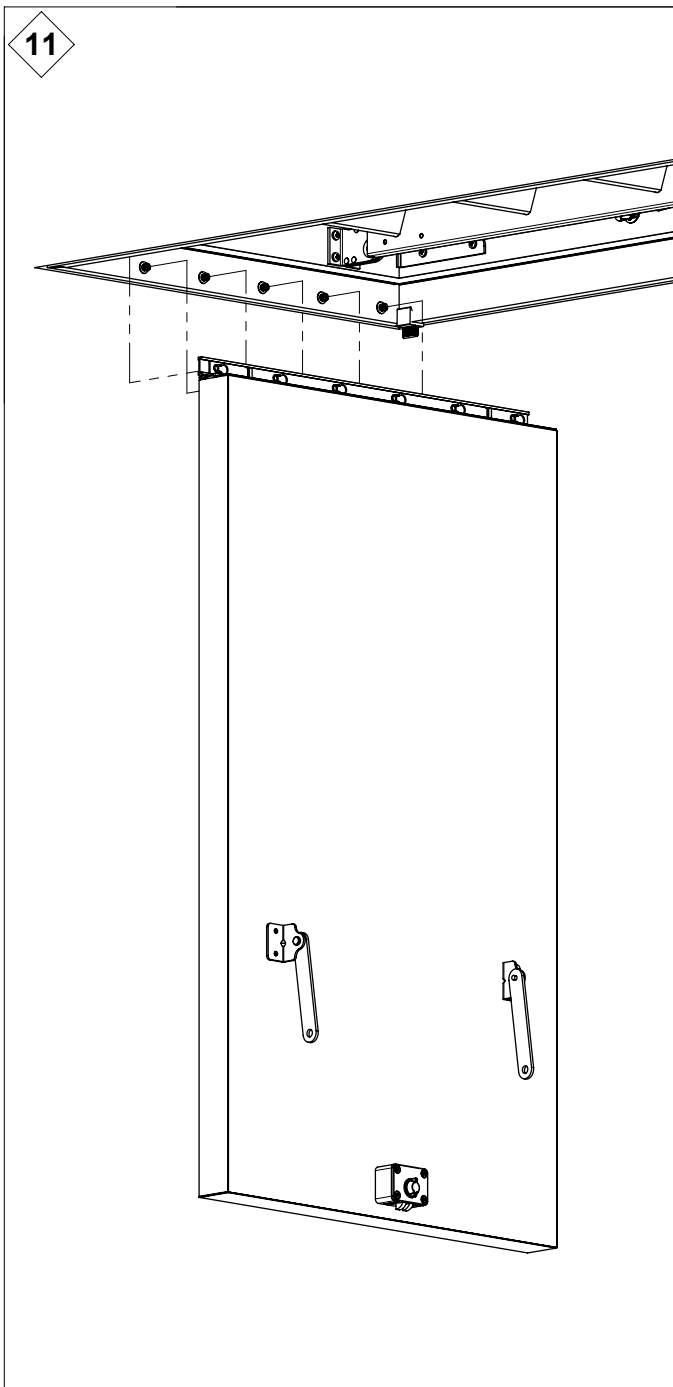
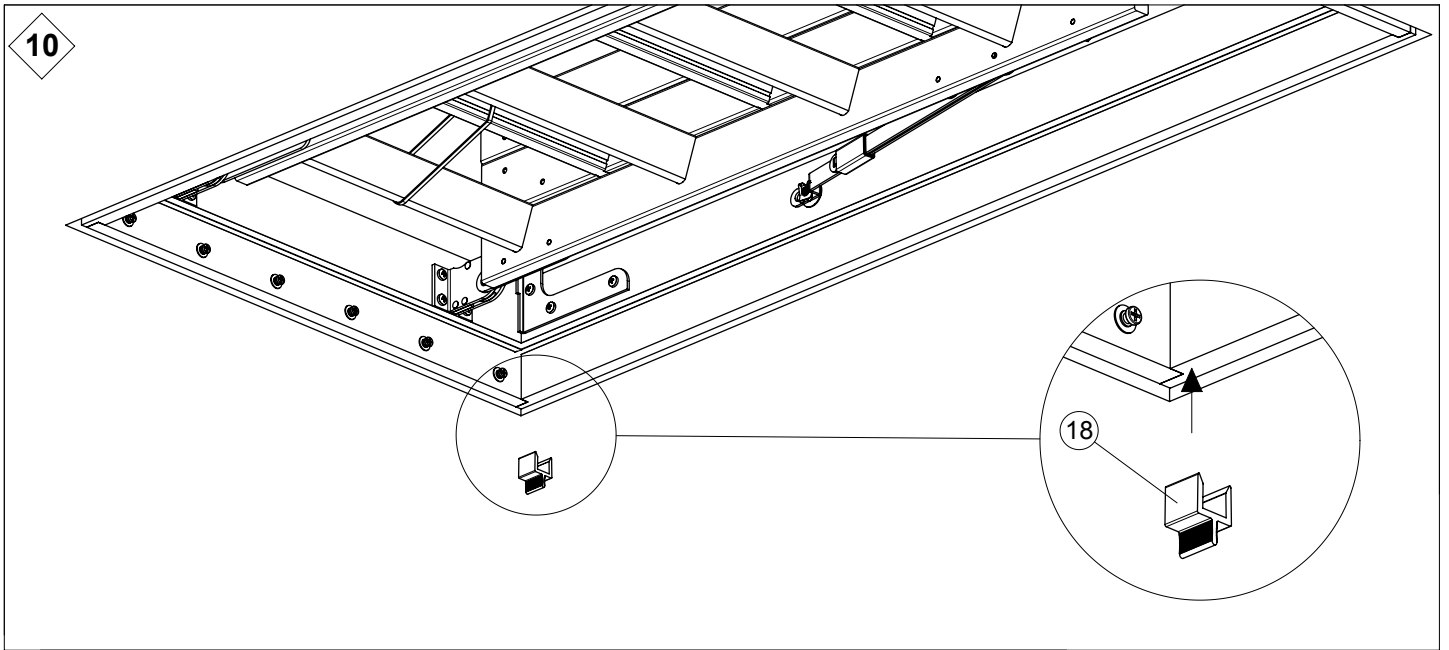
6



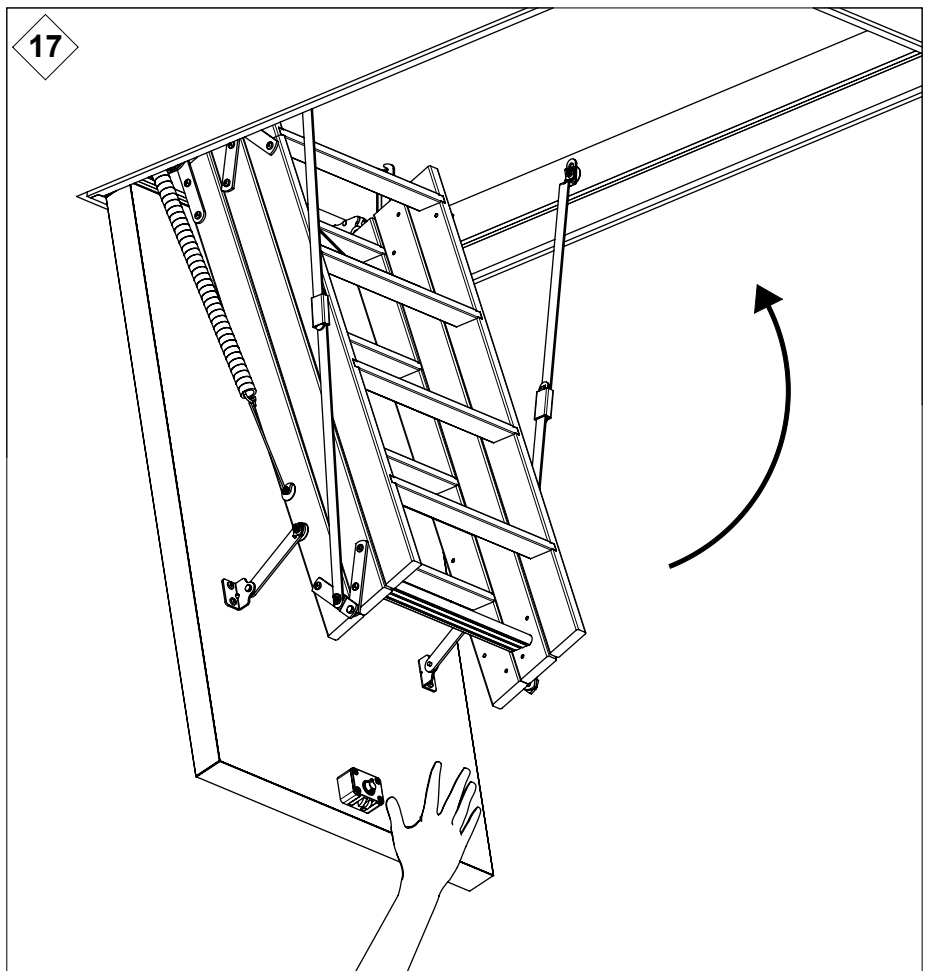
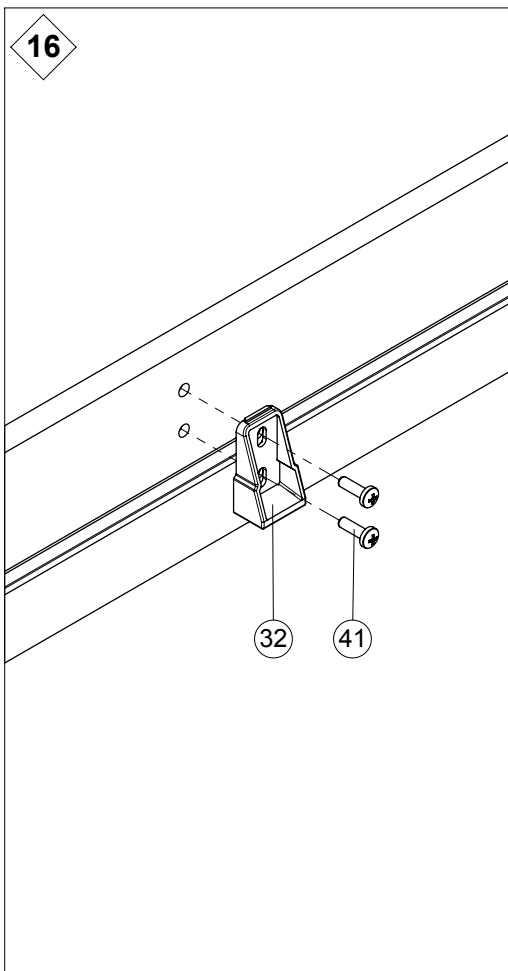
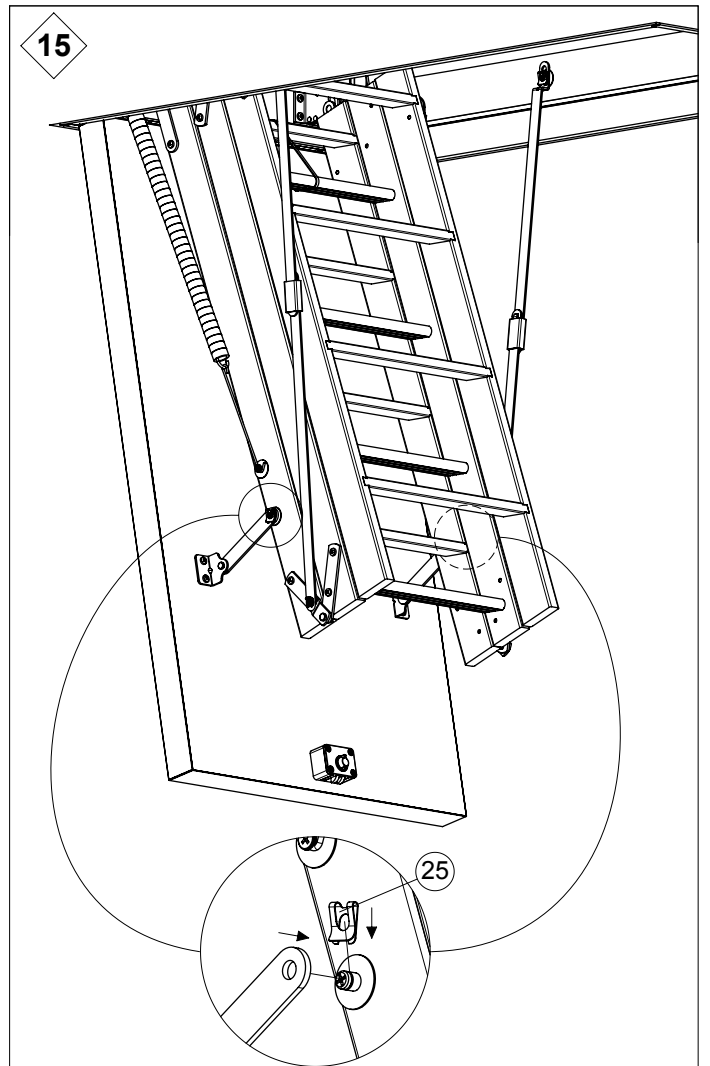
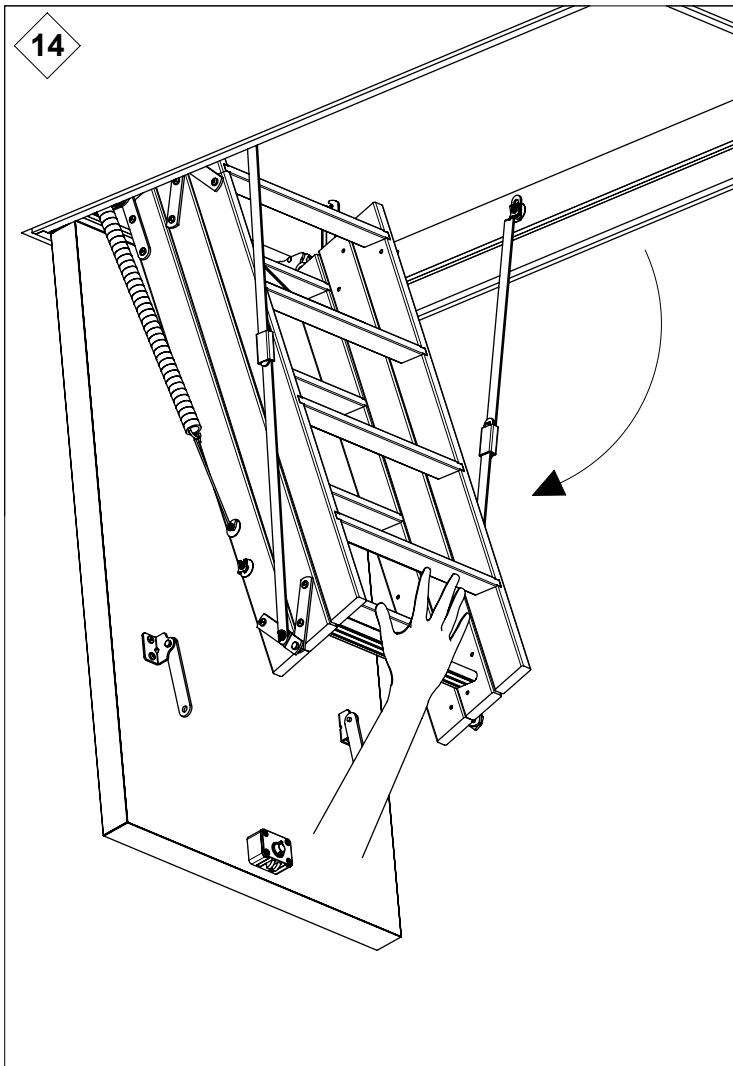
7











18

