

ARKIMEDE 18 - PAVING



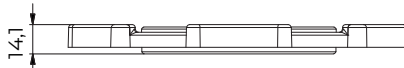
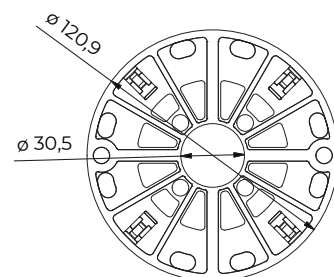
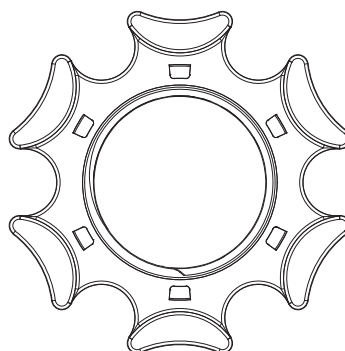
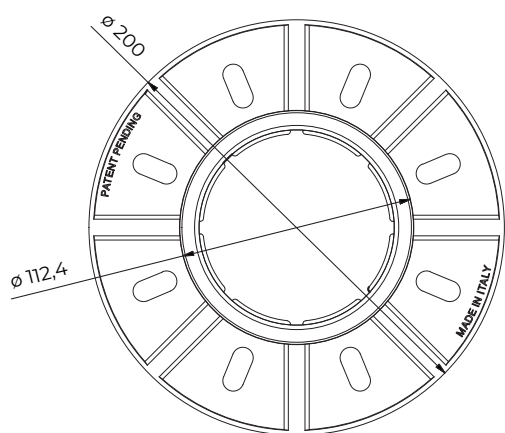
INDEX

1. Code Registry
2. Description
3. Use
4. Fields of use
5. Load test
6. Technical specification

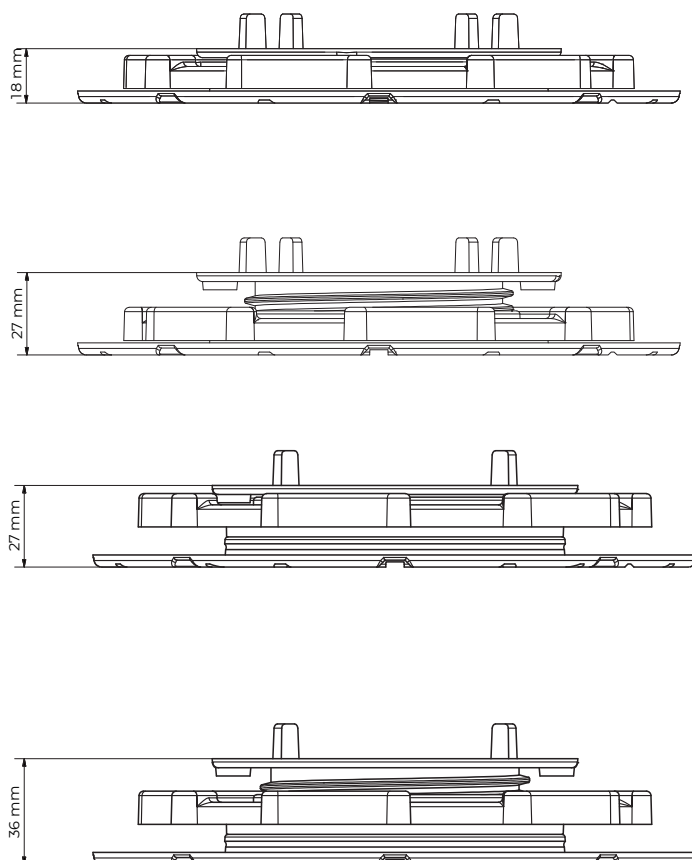
1. CODE REGISTRY

Code	Description	Dimension (mm)	Weight (kg)	Pkg. / Pallet
TER09-1145/4A2M	ARKIMEDE 18 - Spacer tabs thickness 2 mm h 10 mm	from 18 to 36	0,154	30 pcs / 1.350 pcs
TER09-1145/4A4M	ARKIMEDE 18 - Spacer tabs thickness 2 mm h 10 mm	from 18 to 36	0,154	30 pcs / 1.350 pcs

MATERIAL Made of PP (polypropylene).



ARKIMEDE 18 - PAVING



2. DESCRIPTION

ARKIMEDE 18 support with adjustable height starting from 18 mm.

Base laying surface: 314 cm².

Head diameter: 120 mm with a laying surface of 113 cm².

Available versions:

- Box composed by the base, rotating nut and head with 4 spacer tabs of 2 mm thickness and **9 mm extension**.

- Box composed by the base, rotating nut and head with 4 spacer tabs of 4 mm thickness and **9 mm extension**.

The base allows the correct water drainage.

3. USE

Used in external areas, terraces, pavements.

Operating temperature: from -40°C at +80°C

The use of polishing and sanding machines is not recommended.

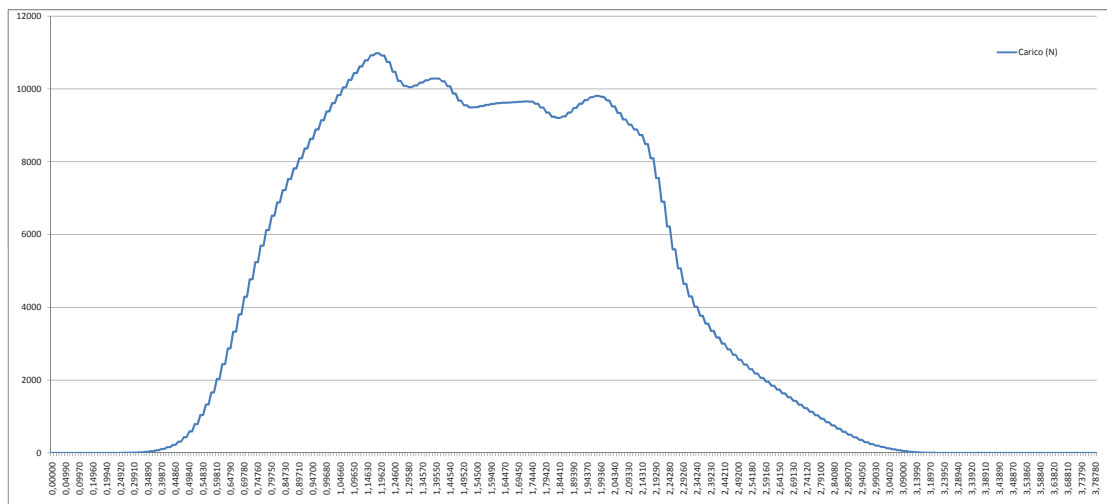
4. FIELDS OF USE

Waterproof membrane, hard insulating panels, screeds and solid and compact pose plans

ARKIMEDE 18 - PAVING

5. LOAD TEST

	Maximum Load at yield [kN]
Test 1	10,90
Test 2	10,70
Test 3	11,60
Average Value	11,06



6. TECHNICAL SPECIFICATION

Specification	Description	Unity	Price
Dak.O.TER09.1145/4AxM	Supply and installation of ARKIMEDE NANO support with adjustable height starting from 18 mm to a maximum of 36 mm. Base laying surface: 314 cmq. Head diameter: 120 mm with a laying surface of 113 cmq. Available versions: • Box composed by the base, rotating nut and head with 4 spacer tabs of 2 mm thickness and 9 mm extension. • Box composed by the base, rotating nut and head with 4 spacer tabs of 4 mm thickness and 9 mm extension. The base allows the correct water drainage. Made of PP (polypropylene). Used in external areas, terraces, pavements.	pcs	-
Dak.O.TER09.1145/4A2M	4 tabs - 2 mm.....	pcs	-
Dak.O.TER09.1145/4A4M	4 tabs - 4 mm.....	pcs	-