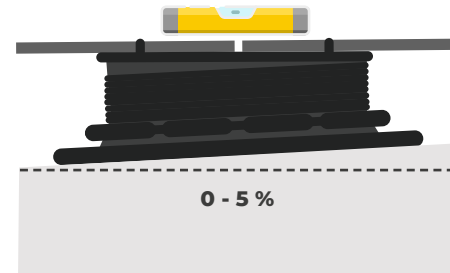


ARKIMEDE - SELF-LEVELING HEAD



INDEX

1. Code Registry

2. Use

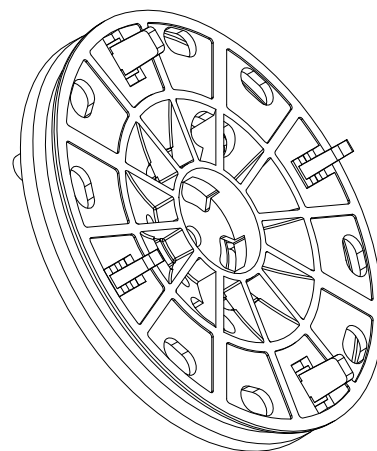
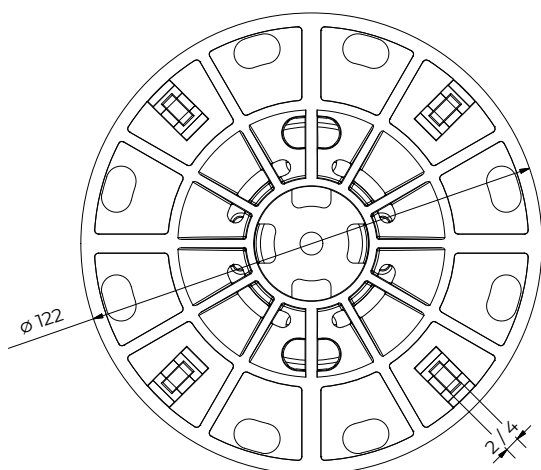
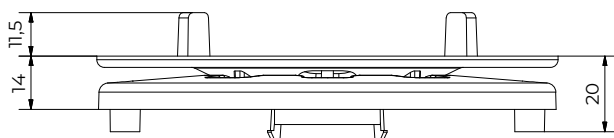
3. Technical Specification

Code	Product	Length [mm]	Weight	Pkg. / Pallet
TER09-1142TB1	ARKIMEDE Self-leveling - Head for joists	ø 120 mm	- kg/pc.	- pc. / - pc.
TER09-1142TB2	ARKIMEDE Self-leveling with 4 wings for 2 mm joint	ø 120 mm	- kg/pc.	- pc. / - pc.
TER09-1142TB4	ARKIMEDE Self-leveling with 4 wings for 4 mm joint	ø 120 mm	- kg/pc.	- pc. / - pc.

MATERIAL

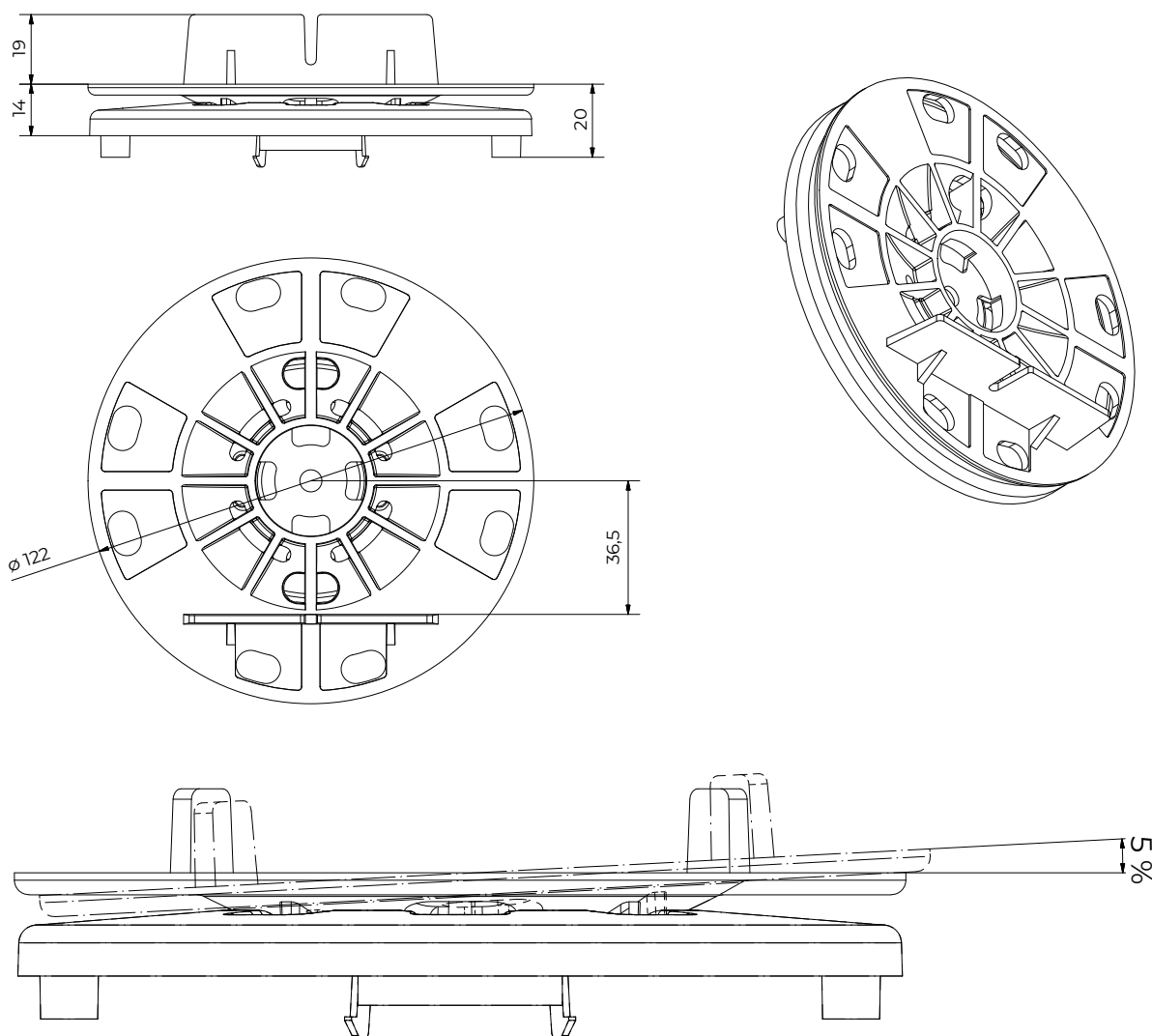
Made of (polypropylene).

TER09-1142TB2 / 1142TB4



ARKIMEDE - SELF-LEVELING HEAD

TER09-1142TB1



2. USE

It guarantees a leveling on 0% to 5% slopes. It is used in external areas, terraces, pavements.

Operating temperature: from - 40 ° C to + 80 ° C.

3. TECHNICAL SPECIFICATION

Specification	Description	Unity	Price
Dak.D. TER09-1142TBx	Supply and installation of ARKIMEDE Self Leveling is an accessory for the Arkimede support that connects with the Arkimede support. It can be matched with the Arkimede Nano and with the Arkimede 35 - 60 both with head for tiles. The installation on the head of the support can be made once the wings are removed. It is made of PP (polypropylene). It guarantees a leveling on 0% to 5% slopes. It is used in external areas, terraces, pavements.		
Dak.D. TER09-1142TB1	Head for joists.....	pc.	-
Dak.D. TER09-1142TB2	4 wings for 2 mm joint.....	pc.	-
Dak.D. TER09-1142TB4	4 wings for 4 mm joint.....	pc.	-