

ADJUSTABLE JOIST SUPPORT



INDEX

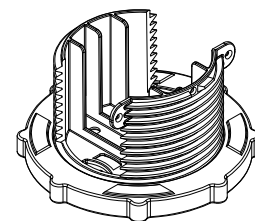
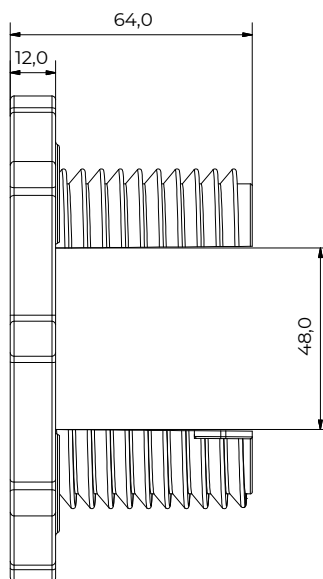
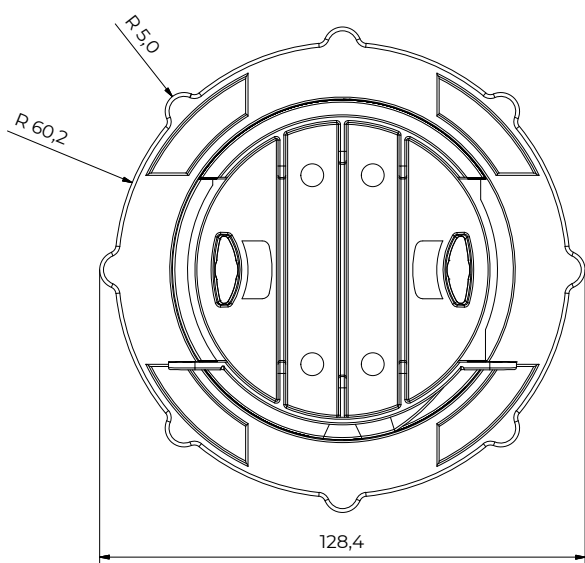
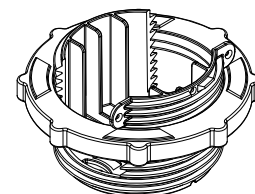
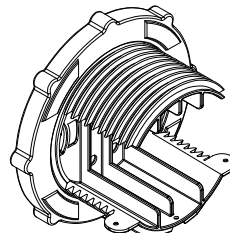
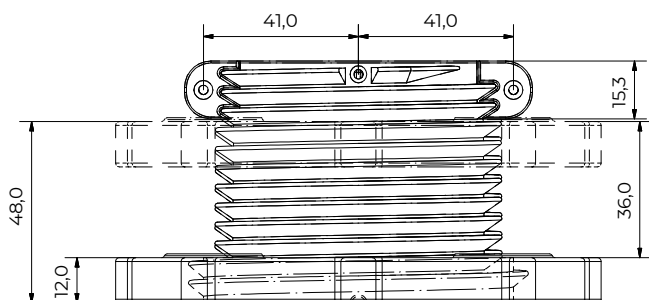
1. Code Registry
2. Use
3. Technical Specification

1. CODE REGISTRY

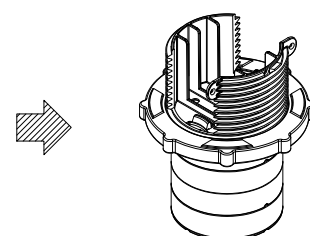
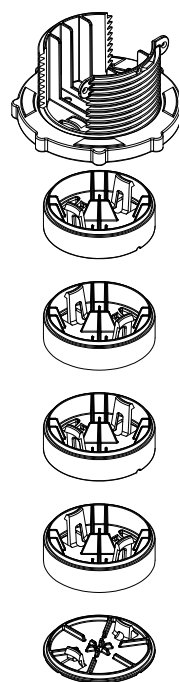
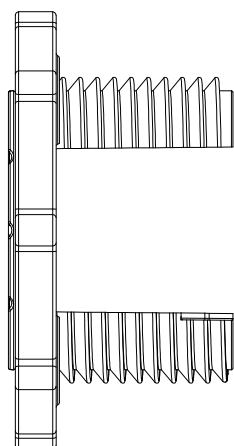
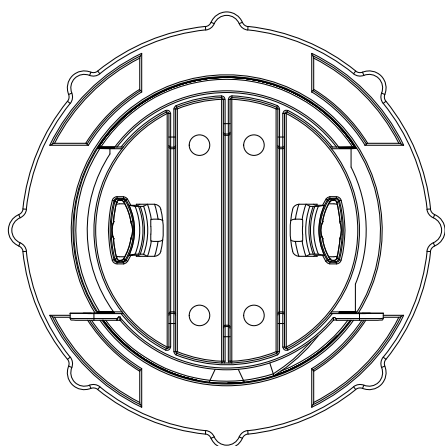
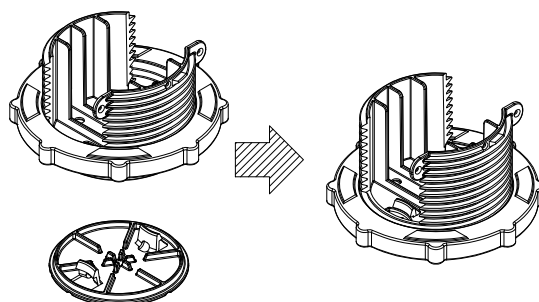
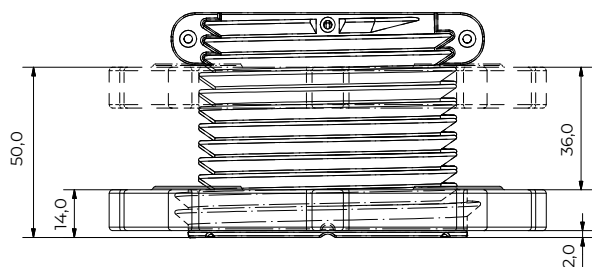
Code	Description	Dimension (mm)	Weight	Pkg. / Pallet
TER09-1164	Adjustable joist support with rubber pad	da 14 a 50	0,129 kg/pc.	30 pc. / 2.700 pcs.
TER09-1164/P20	Extension 20 mm	20	0,035 kg/pc.	- pc. / - pcs.

MATERIAL

Made of PP (polypropylene).



ADJUSTABLE JOIST SUPPORT



2. USE

Used to be positioned on the ground as a base for the laying of the joists during the installation of the understructure for the decking.

3. TECHNICAL SPECIFICATION

Specification	Description	Unity	Price
Dak.O.TER09.1164	Supply and installation of support for a perfect solution where decking requires a minimal elevation height. Simple to install and adjust. With wooden joists, it helps to prevent rot. It is an ideal solution for terraces, decks, balconies and open decking areas. Made of PP (polypropylene). Used to be positioned on the ground as a base for the laying of the joists during the installation of the understructure for the decking.		
Dak.O.TER09.1164	Adjustable joist support with rubber.....	pc.	-
Dak.O.TER09.1164/P20	Extension 20 mm.....	pc.	-