

OUTDOOR SPACER FOR TILES



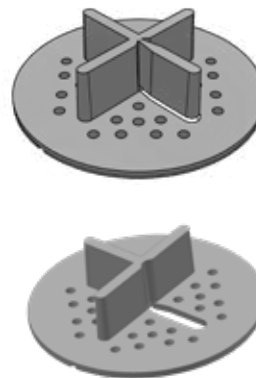
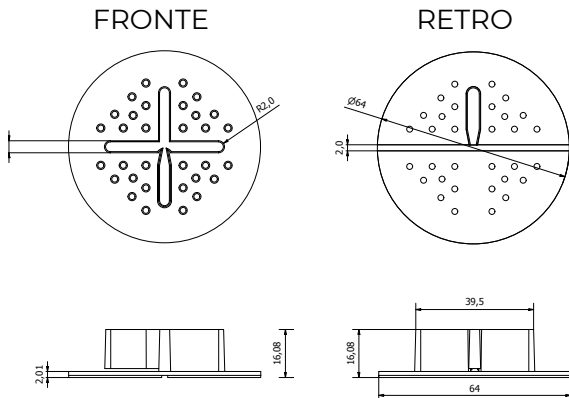
INDEX

1. Code registry
2. Description
3. Use
4. Technical specification

1. CODE REGISTRY

Code	Description	Dimension (mm)	Weight	Pkg / Pallet
TER04-4300	Outdoor Spacer for Tiles	thick. 4 - ø 64	2 gr/pcs	10 bags 200 boxes

MATERIAL Made in Polystyrene crystal



Pre-cut fin ensures easy removal to enable "T" laying

2. DESCRIPTION

X shape tile spacer for outdoor.
100 pcs. per bag.
This product is available in black polypropylene also.

3. USE

Used as a spacer in the tiling

4. TECHNICAL SPECIFICATION

Specification	Description	Unity	Price
Dak.D.TER04.4300	X shape tile spacer for outdoor Thickness 4 mm and diameter 64 mm. Made in Polystyrene crystal Used as a spacer in the tiling	pc.	-